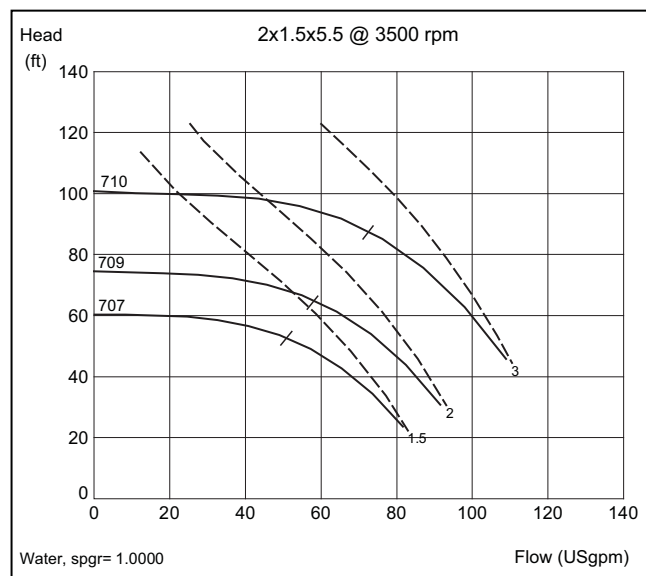
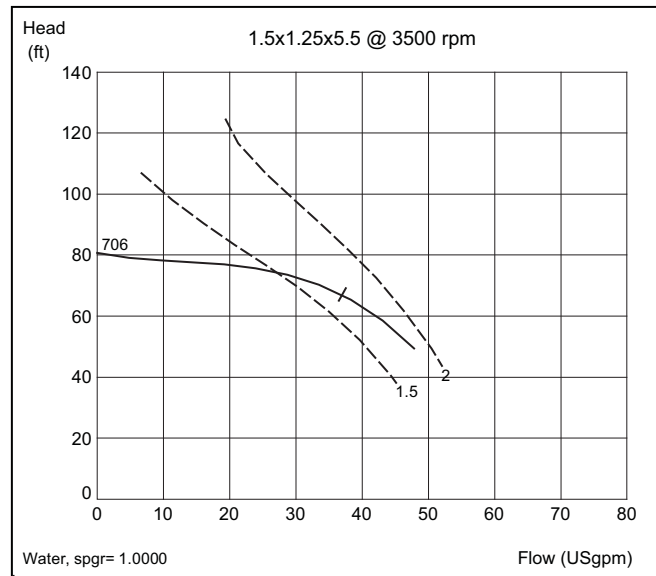
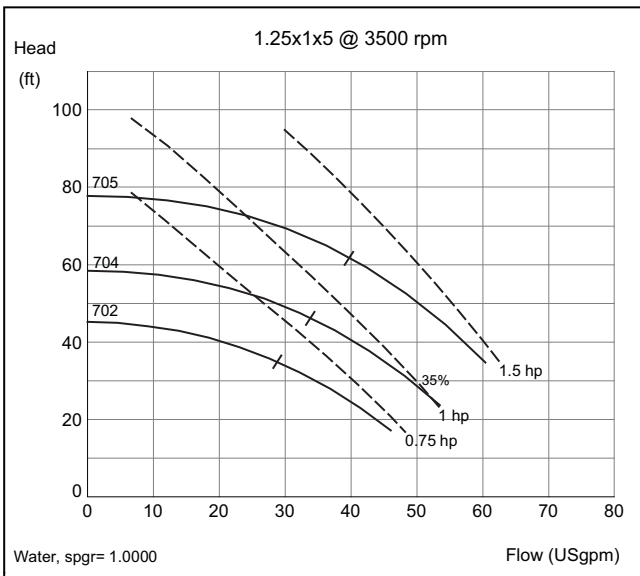
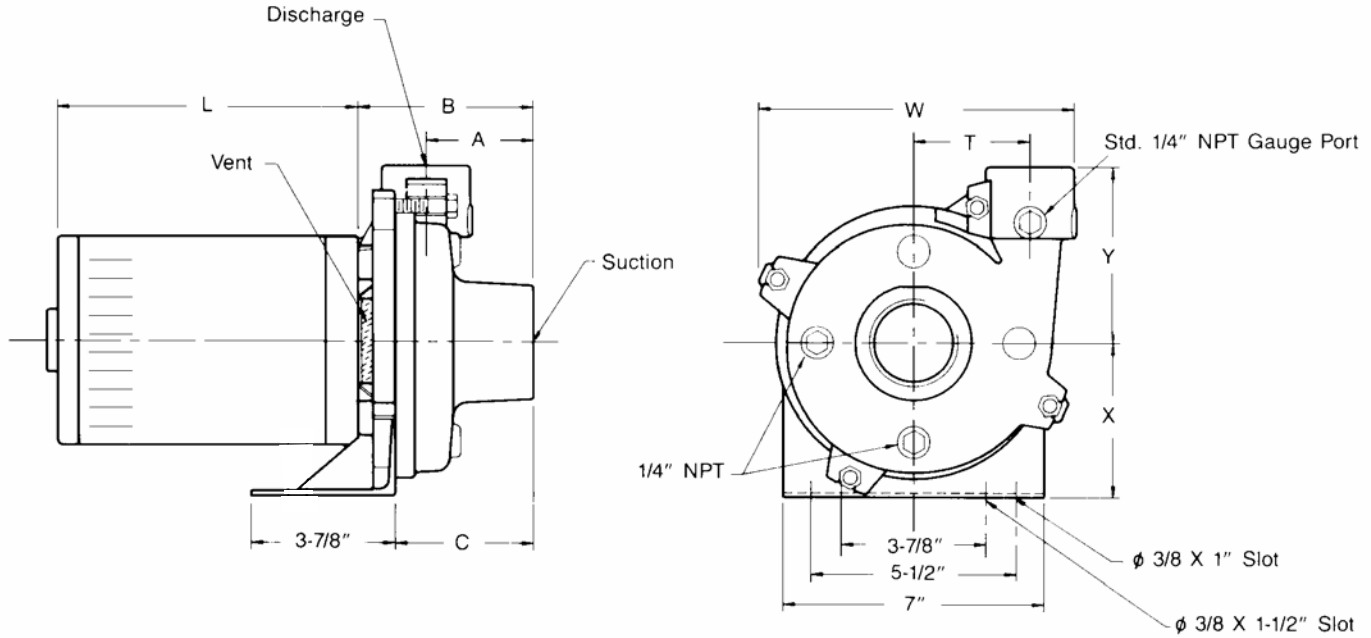


SERIES 4270 STOCK MODELS

Series 4270 motor mounted centrifugal pumps with iron body, PEI resin or bronze impeller, stainless steel shaft, faceplate and seal parts; viton carbon and ceramic mechanical seal and 3600 rpm, open drip-proof, ball bearing motors are now available OFF THE SHELF in standard voltages.





Model	Suction	Discharge	Impeller Size	hp	Dimensions								Weight
					A	B	C	L*	T	W	X	Y	
702**	1.25 (31)	1.00 (25)	3.50 (88)	3/4	2.90 (73)	4.80 (121)	3.80 (95)	8.80 (222)	3.10 (79)	8.30 (210)	4.20 (106)	4.80 (121)	38 (84)
704**	1.25 (31)	1.00 (25)	4.00 (100)	1	2.90(73)	4.80 (121)	3.80 (95)	8.80 (222)	3.10 (79)	8.30 (210)	4.20 (106)	4.80 (121)	40 (88)
705**	1.25 (31)	1.00 (25)	4.50 (112)	1 1/2	2.90 (73)	4.80 (121)	3.80 (95)	8.80 (222)	3.10 (79)	8.30 (210)	4.20 (106)	4.80 (121)	49 (108)
706**	1.50 (38)	1.25 (31)	4.50 (112)	2	2.90 (73)	4.80 (121)	3.80 (95)	8.80 (222)	3.10 (79)	8.30 (210)	4.20 (106)	4.80 (121)	51 (113)
707**	2.00 (50)	1.50 (38)	4.00 (100)	1 1/2	2.90 (73)	4.80 (121)	3.80 (95)	8.80 (222)	3.10 (79)	8.50 (216)	4.20 (106)	4.80 (121)	53 (117)
709T	2.00 (50)	1.50 (38)	4.38 (109)	2	2.90 (73)	4.80 (121)	3.80 (95)	8.80 (222)	3.10 (79)	8.50 (216)	4.20 (106)	4.80 (121)	56 (124)
710T	2.00 (50)	1.50 (38)	5.00 (125)	3	2.90 (73)	4.80 (121)	3.80 (95)	9.40 (238)	3.10 (79)	8.50 (216)	4.20 (106)	4.80 (121)	60 (132)

Note: All dimensions are in inches (mm) and weights in lbs (kg)

*Motors are available with open drip-proof enclosures only.

**Add suffix to the end of the model number.

Suffix Number: "S" for 60 Hz / 1 phase / 115 V / 230 V (230 V only for 3 hp)

"T" for 60 Hz / 3 phase / 208-230 V / 460V

Typical Specifications

Furnish and install, as shown on the Plans and Specifications, an Armstrong Series 42ST End Suction Motor Mounted Centrifugal Pumping Units - Model _____, suitable for 150 psig (1034 kPa) working pressure with radially-split cast iron casing, Ultem Impeller, 416 Stainless Steel Shaft and single inside-type 21 Mechanical Seal. The driving motor shall be horizontal, solid shaft, squirrel cage induction motor with NEMA C Flange and drip-proof enclosure, suitable for operating on a _____ Volt, _____ cycle _____ phase power supply.

S. A. Armstrong Limited
 23 Bertrand Avenue
 Toronto, Ontario
 Canada, M1L 2P3
 T: (416) 755-2291
 F (Main): (416) 759-9101

Armstrong Pumps Inc.
 93 East Avenue
 North Tonawanda, New York
 U.S.A. 14120-6594
 T: (716) 693-8813
 F: (716) 693-8970

Armstrong Holden Brooke Pullen
 Wenlock Way
 Manchester
 United Kingdom, M12 5JL
 T: +44 (0) 161 223 2223
 F: +44 (0) 161 220 9660



© S.A. Armstrong Limited 2009